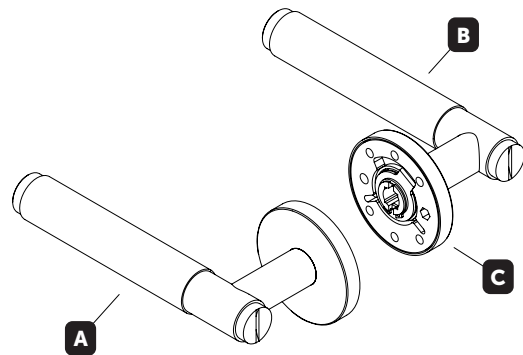


# BUSTER + PUNCH

LONDON

## DOOR LEVER HANDLE SET CROSS KNURL INSTALLATION 30/38MM SPRUNG

### INSTALLATION MANUAL



**BUSTER + PUNCH DOOR HANDLE SETS, FOR  
INSTALLATION ONTO A 35mm DOOR (MINIMUM).**

**PRODUCT VARIATIONS COVERED BY THIS  
INSTRUCTION MANUAL ARE LISTED BELOW:**

DOOR HANDLE SET OF 2 / CROSS / SPRUNG

**BUSTER + PUNCH RECOMMENDED TUBULAR LATCHES:**

TUBULAR LATCH / FOR DOOR HANDLE / 57mm BACKSET

#### CONTENTS



x8

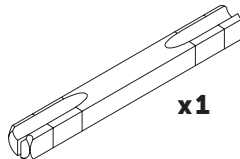


x2

CUT TO SIZE



x2

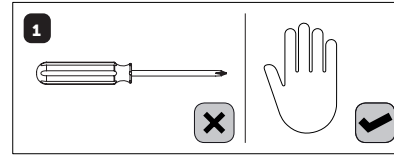
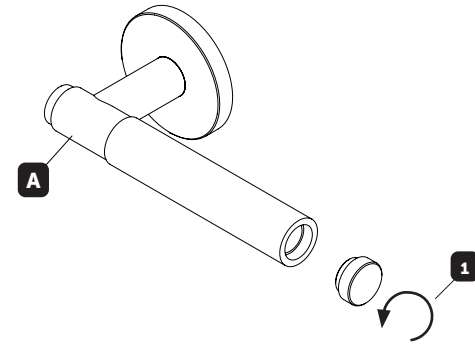


x1

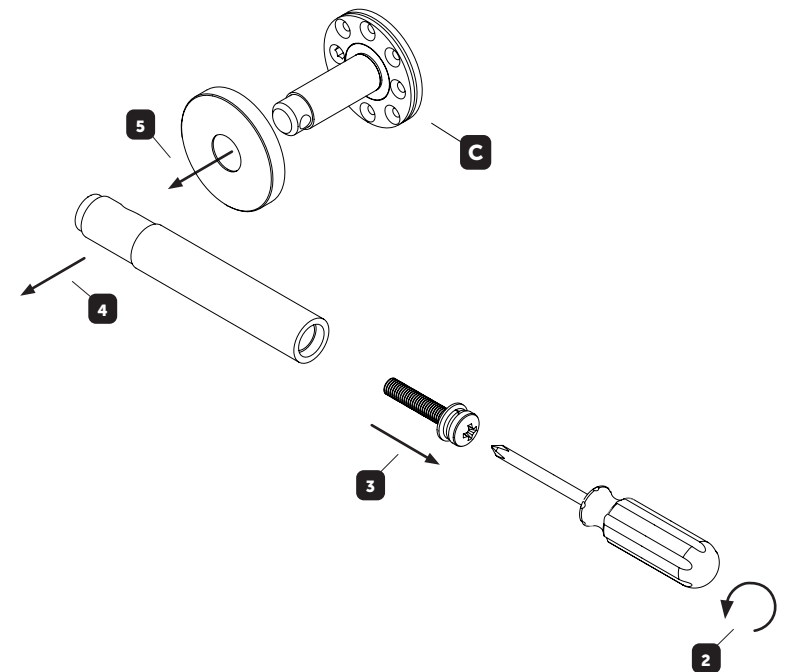
BUSTERANDPUNCH.COM

L0219

1

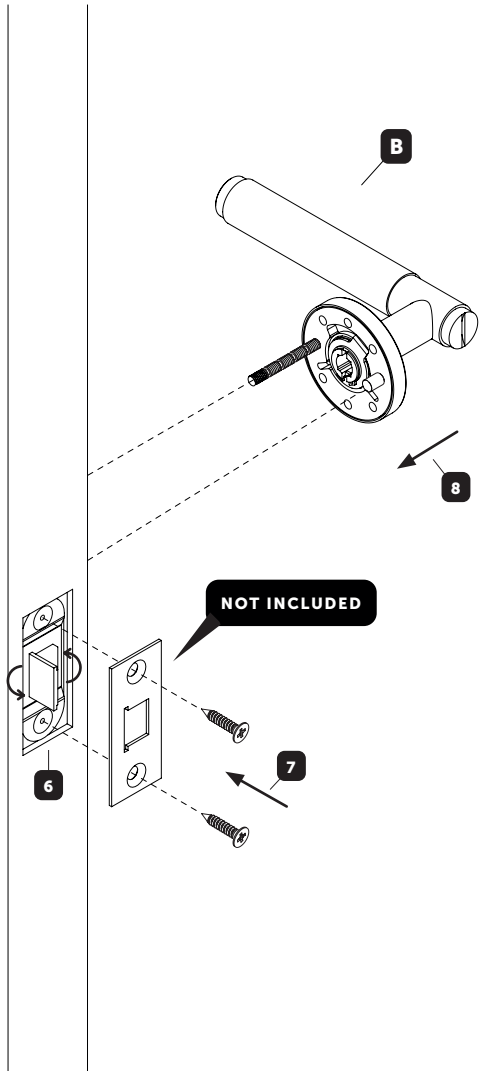
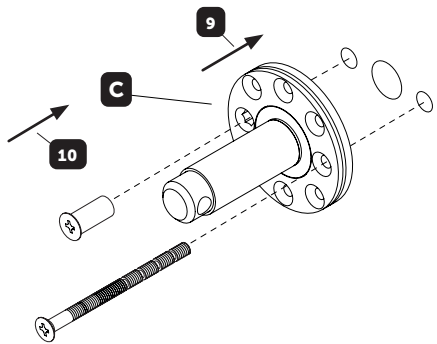
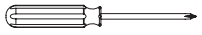


2



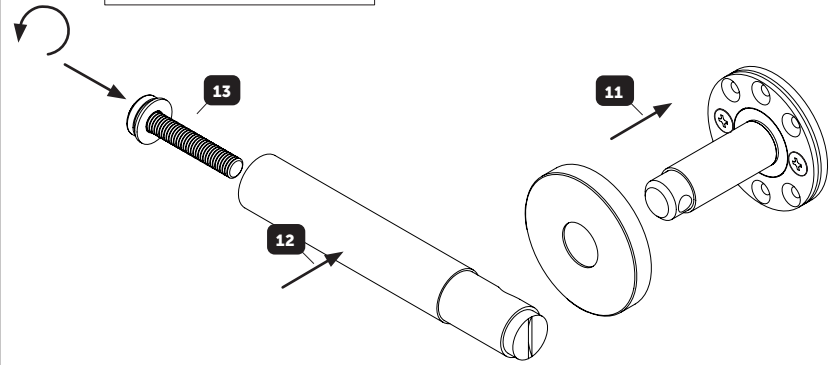
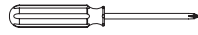
3

7 + 10



4

13

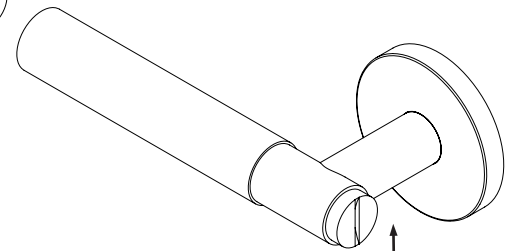


5

x 1



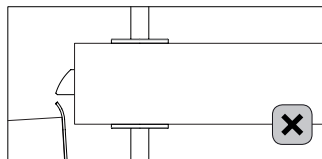
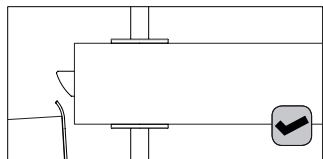
14



15



6 ROTATE THE LATCH TONGUE TO ENSURE THAT IS IT ORIENTATED CORRECTLY.



15

