

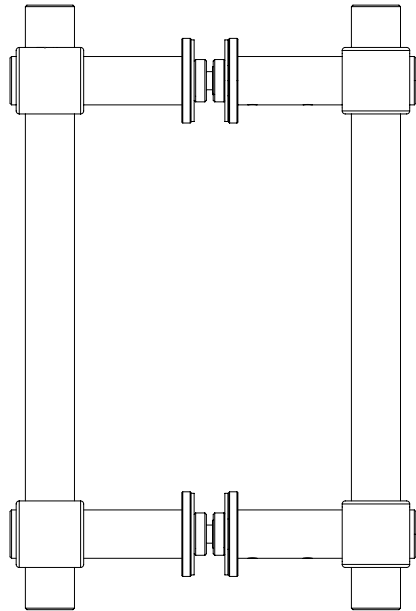
**BUSTER+PUNCH**  
LONDON

**PULL BAR / DOUBLE-SIDED / CAST**  
SMALL / MEDIUM / LARGE

+

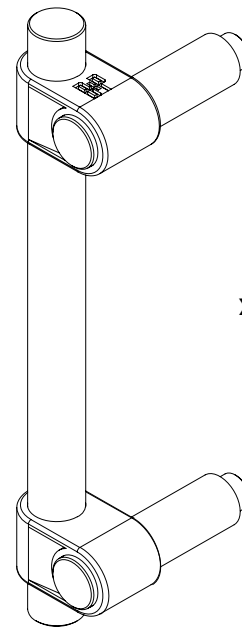
**CLOSET BAR / DOUBLE-SIDED / CAST**

**INSTRUCTION MANUAL**

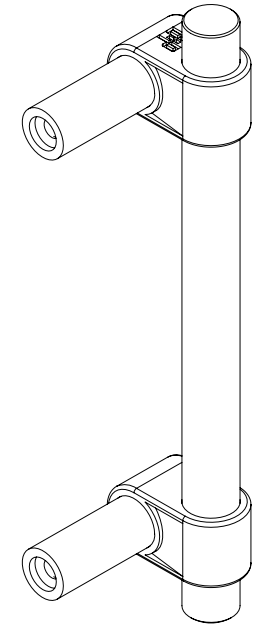


**BUSTERANDPUNCH.COM**

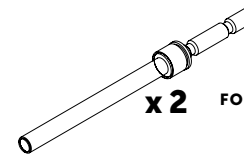
## CONTENTS



**x 1**

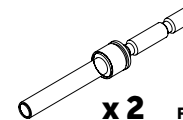


**x 1**



**x 2**

FOR 6-35mm DOOR



**x 2**

FOR 35-60mm DOOR



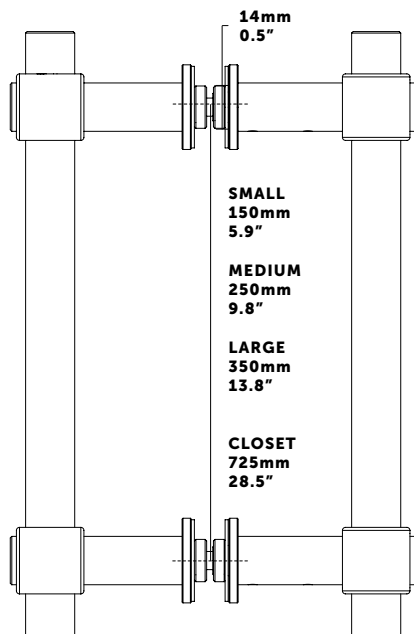
**x 4**



**x 4**



**x 4**

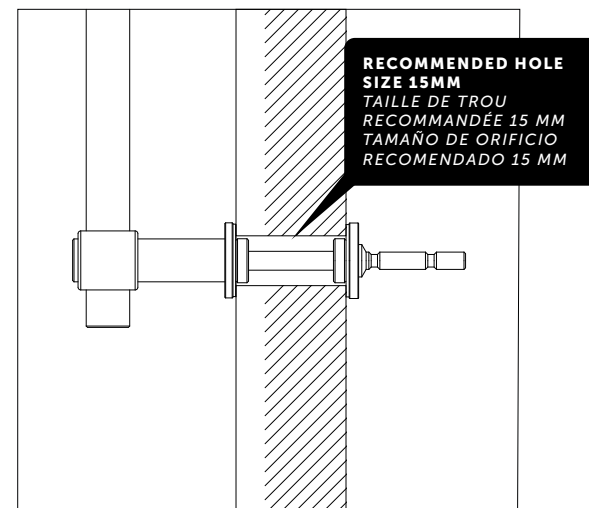


**EN: MINIMUM/MAXIMUM DOOR THICKNESS**

FR: ÉPAISSEUR MINIMALE / MAXIMALE DE LA PORTE

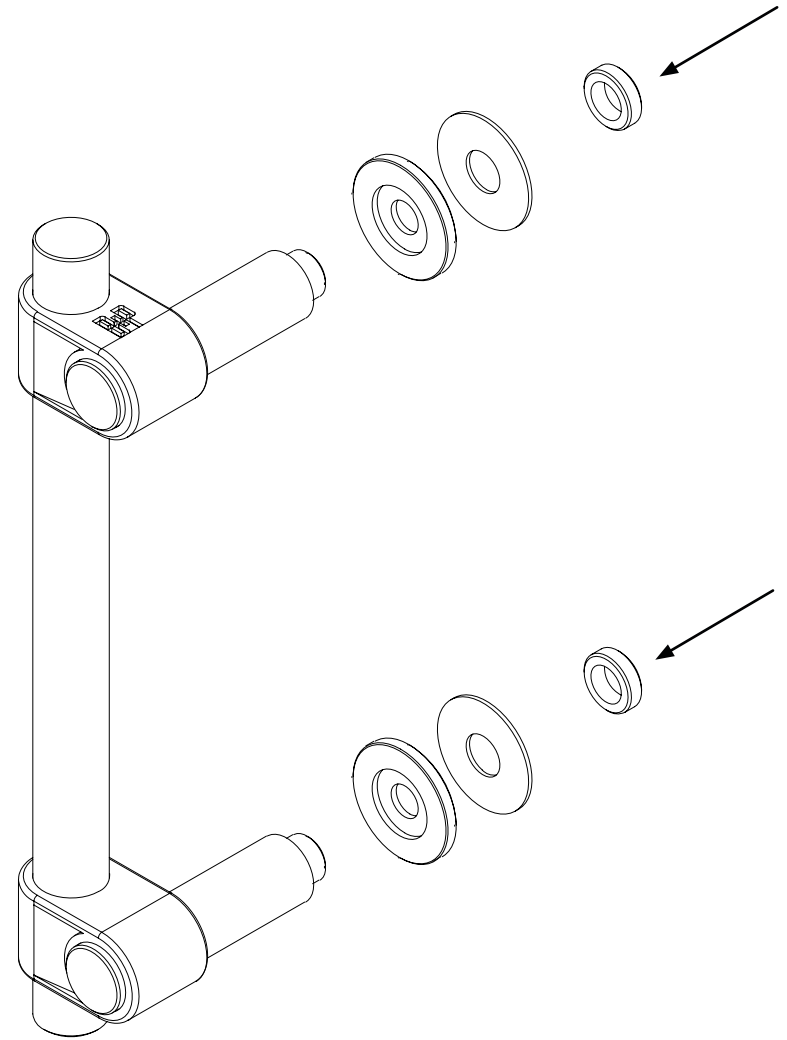
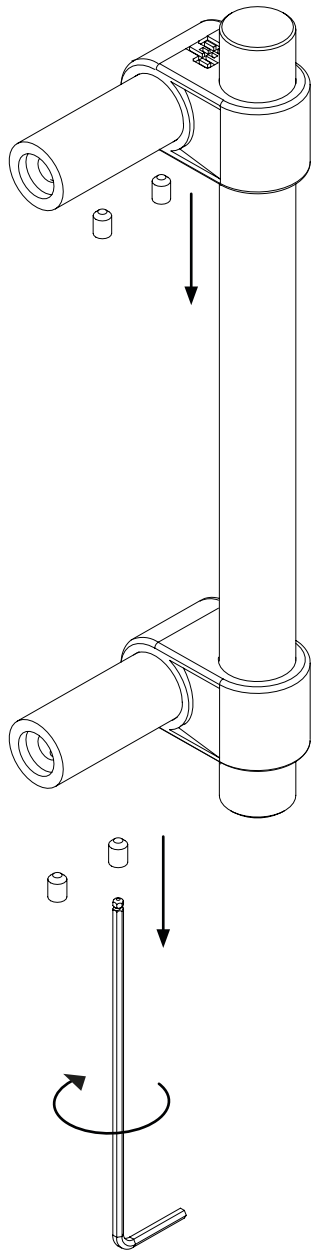
SP: ESPESOR DE PUERTA MÍNIMO / MÁXIMO

**min 6mm or 0.24" - max 60mm or 2.36"**

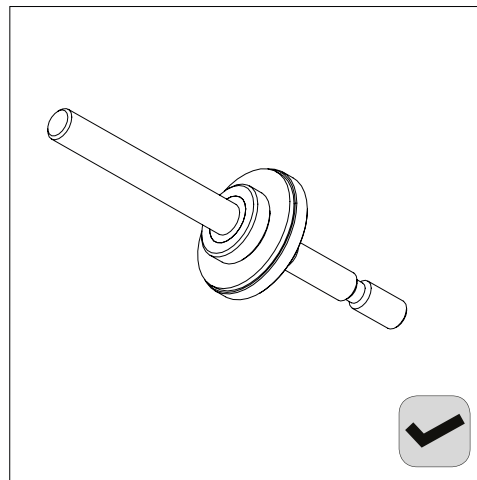
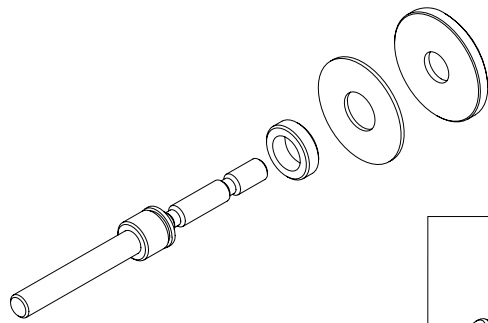
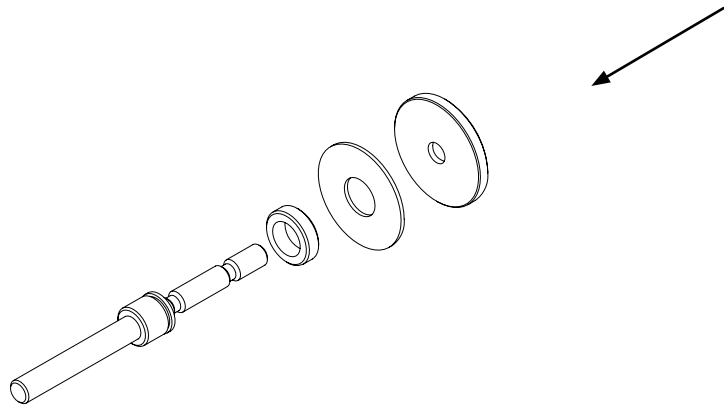


# INSTALLATION

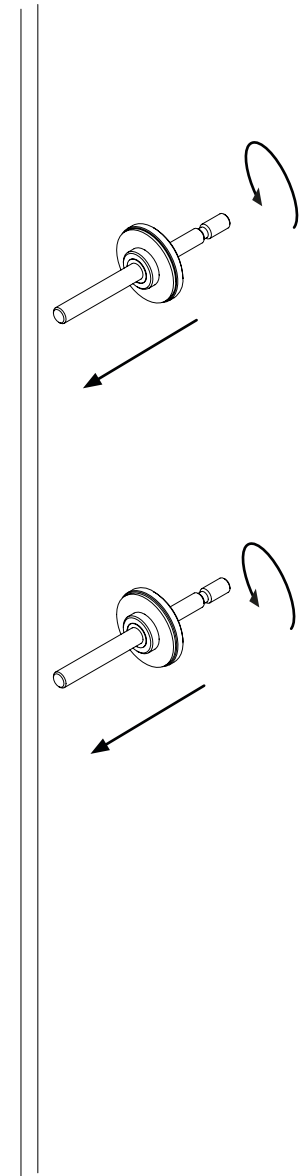
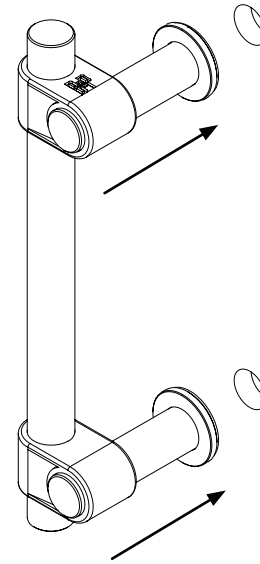
## 1



2



3



4

